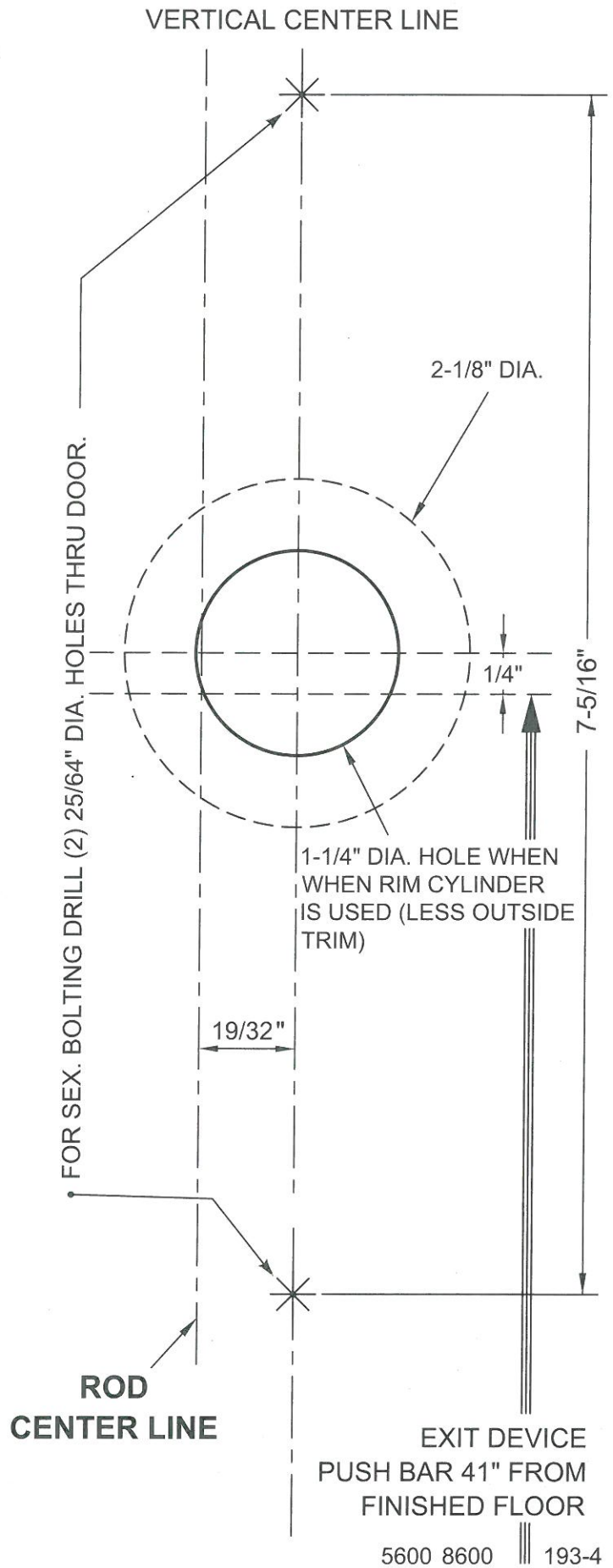


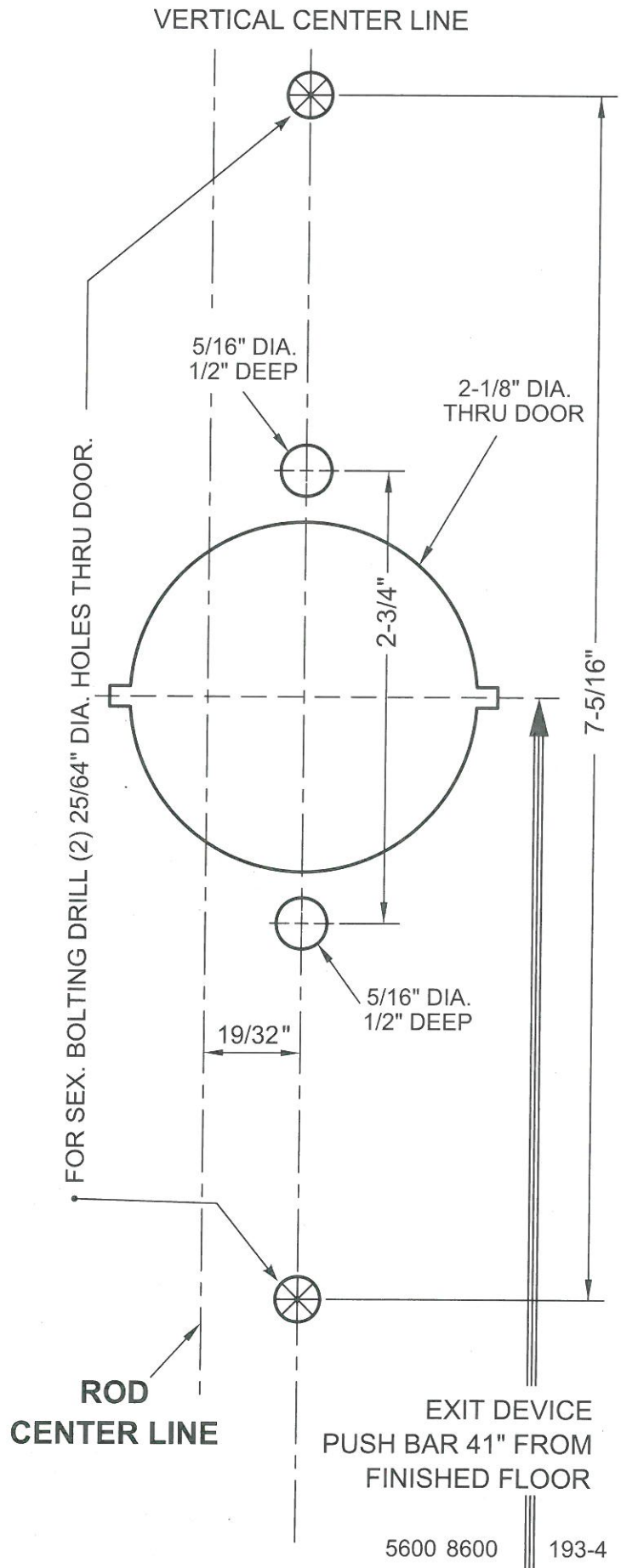
TEMPLATE

RIM TYPE AND VERTICAL ROD TYPE EXIT
DEVICES HOLE LOCATIONS. SIZE AND TYPE
INDICATED ON TEMPLATE

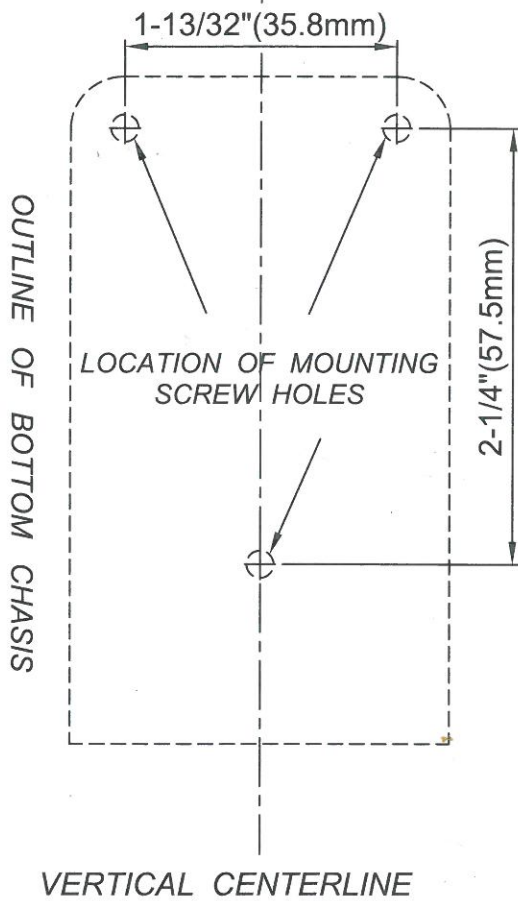


TEMPLATE

RIM TYPE AND VERTICAL ROD TYPE EXIT DEVICES TRIM HOLE LOCATIONS.

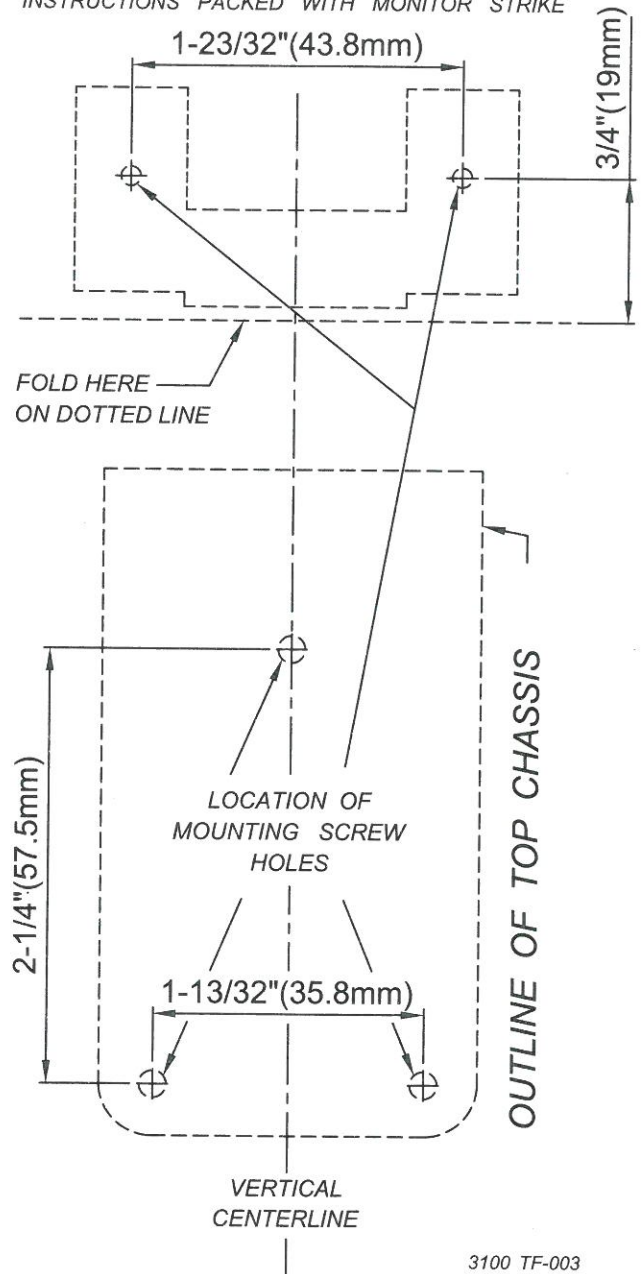


THIS TEMPLATE NOT TO BE USED FOR MONITOR STRIKE PREP DOOR USING INSTRUCTIONS PACKED WITH MONITOR STRIKE



3100 TF-004

THIS TEMPLATE NOT TO BE USED FOR 881 MONITOR STRIKE, PREPARE DOOR USING INSTRUCTIONS PACKED WITH MONITOR STRIKE



3100 TF-003